

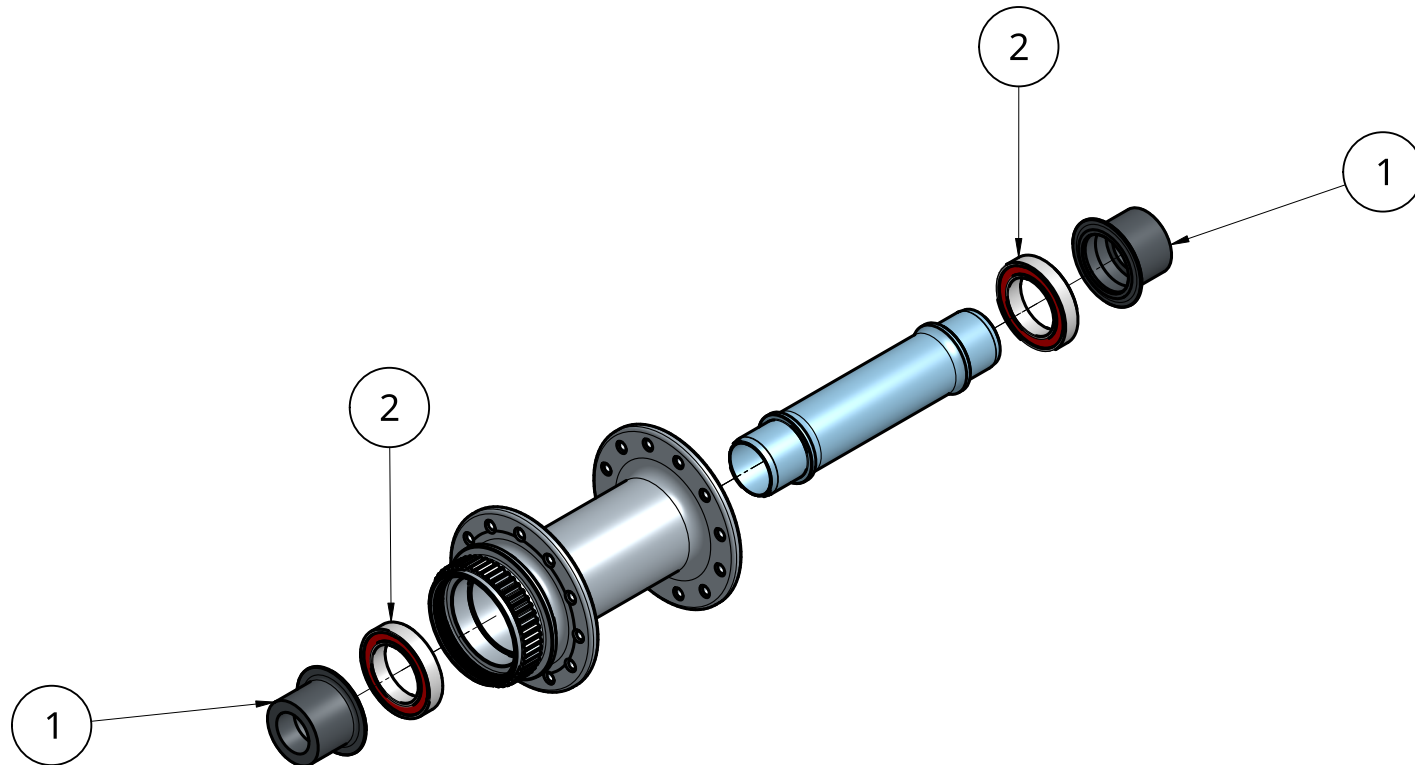
NEWMEN front hub BASIC R spare parts

POS	ITEM	Description
1	90720	NEWMEN Fade Road/Gravel Endcap Set 12mm OD 19 mm
2	89702	NEWMEN Bearing 17x26x5 Red

Recommended tools for hub service:
90166 - NEWMEN Endcap Removal Tool 2

spare parts are suited for rear hubs with laser logo:

BASIC R



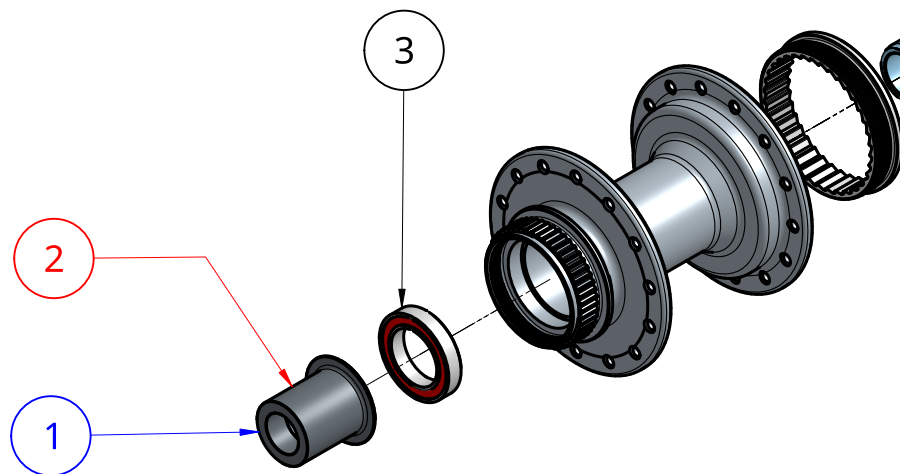
NEWMEN			MG-Components GmbH & Co. KG Am Mühlbach 5c 87487 Wiggensbach Germany
DO NOT SCALE DRAWING	SIZE: A4	SCALE: 1:2	SHEET 1 of 3
Alle Informationen unter Vorbehalt. Wir behalten uns Änderungen vor All information subject to change. We reserve the right to make changes			drawing date: 2024-07-31

NEWMEN rear hub BASIC R spare parts

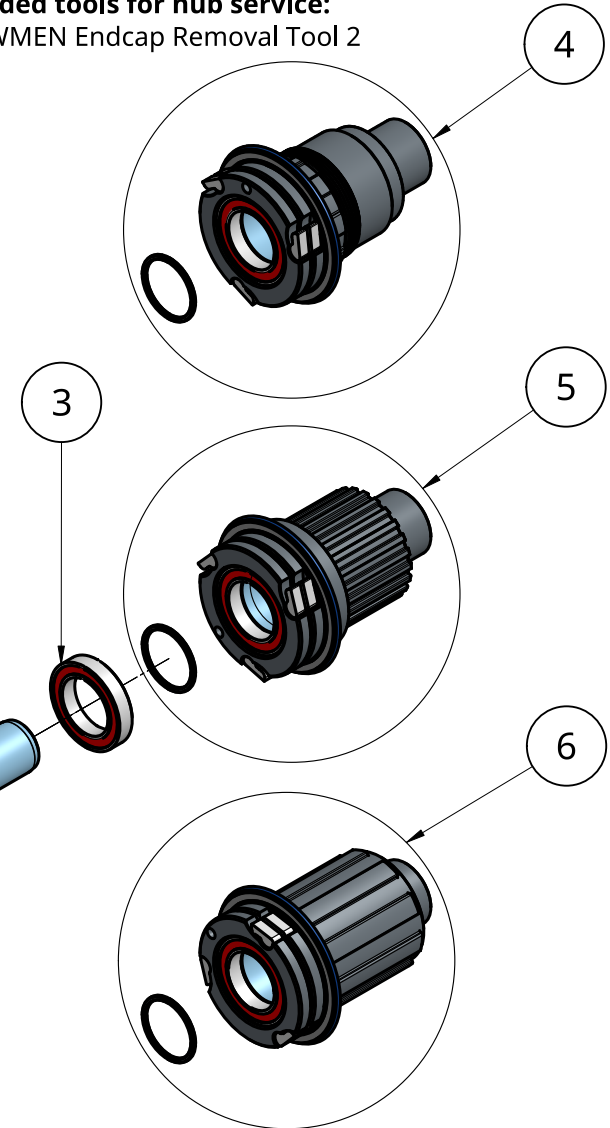
POS	ITEM	Description
1	89712	NEWMEN Endcap set 12 mm MS
2	89711	NEWMEN Endcap set 12 mm XD SH
3	89702	NEWMEN Bearing 17x26x5 Red
4	t.b.a.	NEWMEN BASIC R freewheel set XDR partially assembled incl. endcap
5	t.b.a.	NEWMEN BASIC R Freewheel Set MS partially assembled incl. endcap
6	t.b.a.	NEWMEN BASIC R freewheel set SH partially assembled incl. endcap

spare parts are suited for rear hubs with laser logo:

BASIC R



Recommended tools for hub service:
90166 - NEWMEN Endcap Removal Tool 2



NEWMEN

MG-Components GmbH & Co. KG
Am Mühlbach 5c
87487 Wiggensbach
Germany

DO NOT SCALE DRAWING

SIZE: A4

SCALE: 1:2

SHEET 2 of 3

Alle Informationen unter Vorbehalt. Wir behalten uns Änderungen vor
All information subject to change. We reserve the right to make changes

drawing date:
2024-07-31

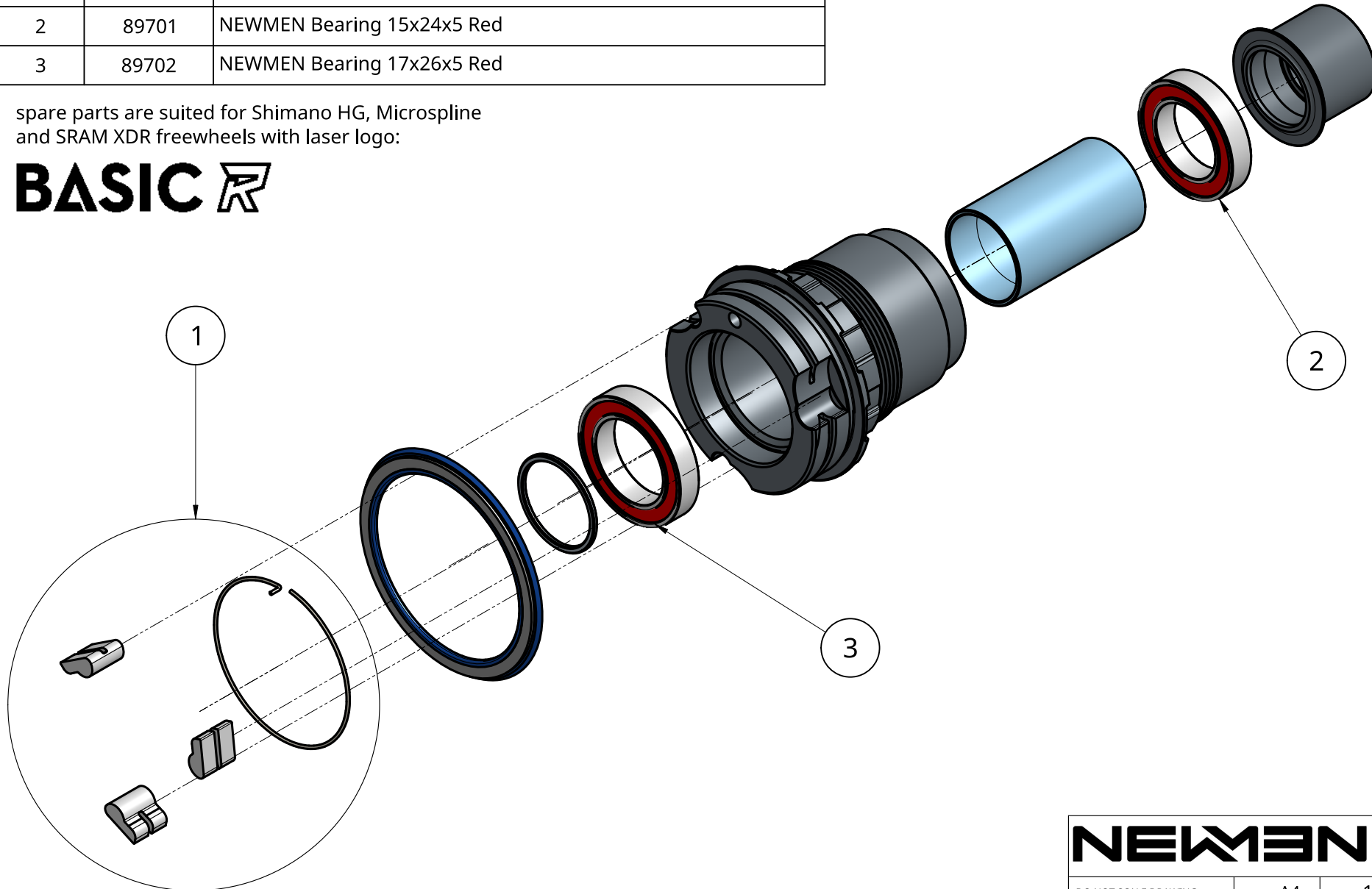
NEWMEN freewheel BASIC R spare parts

POS	ITEM	Description
1	90922	NEWMEN Pawl set incl. Spring
2	89701	NEWMEN Bearing 15x24x5 Red
3	89702	NEWMEN Bearing 17x26x5 Red

Recommended tools for hub service:
90166 - NEWMEN Endcap Removal Tool 2

spare parts are suited for Shimano HG, Microspline and SRAM XDR freewheels with laser logo:

BASIC **R**



NEWMEN			MG-Components GmbH & Co. KG Am Mühlbach 5c 87487 Wiggensbach Germany
DO NOT SCALE DRAWING	SIZE: A4	SCALE: 1:2	SHEET 3 of 3
Alle Informationen unter Vorbehalt. Wir behalten uns Änderungen vor All information subject to change. We reserve the right to make changes			drawing date: 2024-07-31